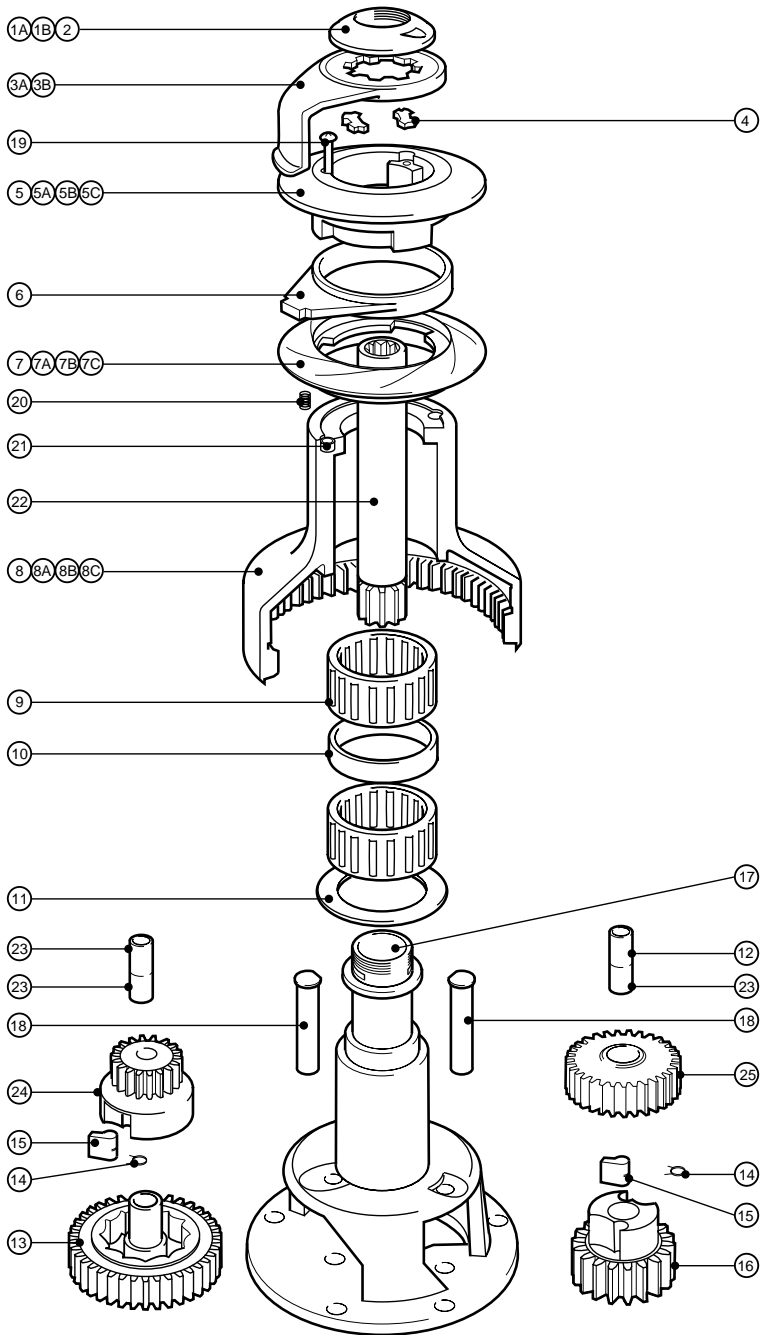


No. 40ST - 2 SPEED SELF TAILING WINCH



| Item | Description | Part Number | No. Off |
|------|---|-------------|---------|
| 1a | Chrome Top Cap 40AST/40CST/40CCST | 45000100 | 1 |
| 1b | Bronze Top Cap 40BST/40BBST | 45000101 | 1 |
| 2 | 'O' Ring (Fitted in Item 1a/1b) | B6061 | 1 |
| 3a | Chrome Feeder Arm 40AST/40CST/40CCST | 45000203 | 1 |
| 3b | Bronze Feeder Arm 40BST/40BBST | 45000204 | 1 |
| 4 | Collet | 45000102 | 2 |
| 5 | Upper Crown (Black) | 45000185 | 1 |
| 5a | Upper Crown (Grey) 40AST/40BST/40CST | 45000105 | 1 |
| 5b | Bronze Upper Crown Assembly 40BBST | 48030000 | 1 |
| 5c | Chrome Upper Crown Assembly 40CCST | 48030001 | 1 |
| 6 | Stripper Ring (Grey) | 45000108 | 1 |
| 7 | Lower Crown (Black) | 45000189 | 1 |
| 7a | Lower Crown (Grey) 40AST/40BST/40CST | 45000109 | 1 |
| 7b | Bronze Lower Crown Assembly 40BBST | 48030005 | 1 |
| 7c | Chrome Lower Crown Assembly 40CCST | 48030006 | 1 |
| 8 | Alloy Drum (Black) | 45000284 | 1 |
| 8a | Alloy Drum 40AST | 45000214 | 1 |
| 8b | Bronze Drum 40BST/40BBST | 45000216 | 1 |
| 8c | Chrome Drum 40CST/40CCST | 45000215 | 1 |
| 8d | Stainless Steel Drum 40SST | 45000270 | 1 |
| 9 | Roller Bearing Assembly | 15008007 | 2 |
| 10 | Bearing Spacer | 15000491 | 1 |
| 11 | Drum Washer | 15000466 | 1 |
| 12 | Gear Spindle Sleeve | 15000378 | 1 |
| 13 | Ratchet Gear | 45000220 | 1 |
| 14 | Pawl Spring | 1260/7 | 4 |
| 15 | Pawl | 1260/8 | 4 |
| 16 | Pawl Gear | 45000221 | 1 |
| 17 | Centre Stem | 48040017 | 1 |
| 18 | Gear Spindle | 45000123 | 2 |
| 19 | M5 x 35 S/S Posidriv Pan HD Screw | B0337 | 3 |
| 20 | Spring | 45000112 | 6 |
| 21 | Spring Cup | 45000113 | 6 |
| 22 | Main Spindle | 45000218 | 1 |
| 23 | Gear Spindle Sleeve | 45000029 | 3 |
| 24 | Pawl Gear | 45000119 | 1 |
| 25 | Ratchet Gear | 45000222 | 1 |

NOTE:
 Conversion kit for all bronze and all chrome winch:-
 5b + 7b = 48030022
 5c + 7c = 48030023
 5b/5c/7b/7c are all assembled components NOT available separated.